

DC Sources LAB HPR

5 kW – 210 kW

 19" x 6 U x 620 mm

 Bidirectional High-Power DC Supply

NEW PRODUCT

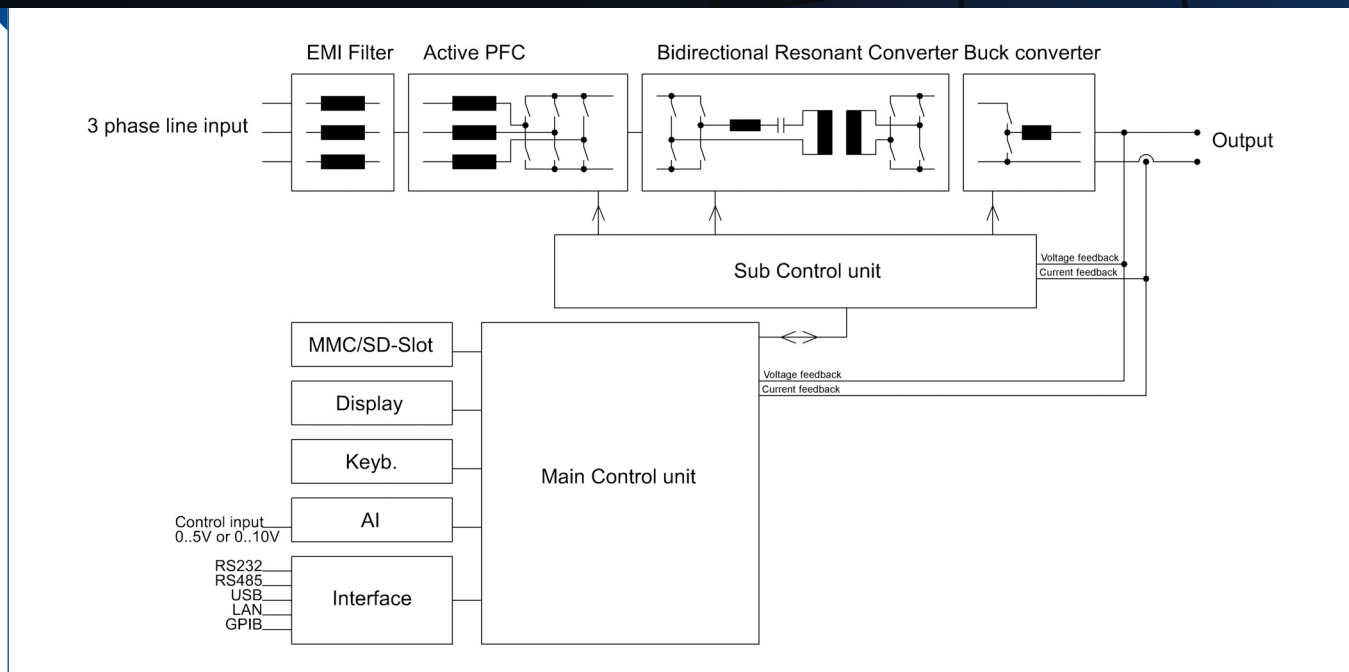


DENVER
metrologia electrónica, S.L.

et
ETSYSTEM

- Full bidirectional operation made possible by grid-tie source sink technology
- Product line with various output voltages: 60, 100, 150, 300, 600, 800, 1.000, 1.200, 1.500 VDC
- Constant voltage (0 to 100 %), constant current (0 to 100 %), constant power operation (5 to 100 %) with automatic and fast crossover as well as mode indication and internal resistance simulation
- Compact design featuring integrated EMI and sine filters
- Power categories from 5 to 30 kW are available for each nominal output voltage
- Primary switched and galvanic isolated power supplies
- Extended product range with various extras and optional accessories
- Power increased easily through modular design: Parallel, series, matrix or multiloading master-slave-operation
- Low cost while maintaining high efficiency by applying innovative IGBT and transformer technology
- Full digital control and regulation
- CE conformity
- Smart functions for monitoring
- Easy to use operating controls
- Lightweight
- Small footprint
- Air-cooling enclosures
- Customized designs
- Made in Germany

BLOCK DIAGRAM // LAB HPR (DC SOURCE)



Type	Power W	Voltage V	Current A	Dimensions
LAB/HPR 560	5.000	0 – 60	0 – +/-85	19" x 6 U x 620 mm
LAB/HPR 5100	5.000	0 – 100	0 – +/-50	19" x 6 U x 620 mm
LAB/HPR 5150	5.000	0 – 150	0 – +/-35	19" x 6 U x 620 mm
LAB/HPR 5300	5.000	0 – 300	0 – +/-16	19" x 6 U x 620 mm
LAB/HPR 5600	5.000	0 – 600	0 – +/-8	19" x 6 U x 620 mm
LAB/HPR 5800	5.000	0 – 800	0 – +/-6	19" x 6 U x 620 mm
LAB/HPR 51000	5.000	0 – 1.000	0 – +/-5	19" x 6 U x 620 mm
LAB/HPR 51200	5.000	0 – 1.200	0 – +/-4	19" x 6 U x 620 mm
LAB/HPR 51500	5.000	0 – 1.500	0 – +/-3	19" x 6 U x 620 mm
LAB/HPR 1060	10.000	0 – 60	0 – +/-170	19" x 6 U x 620 mm
LAB/HPR 10100	10.000	0 – 100	0 – +/-100	19" x 6 U x 620 mm
LAB/HPR 10150	10.000	0 – 150	0 – +/-70	19" x 6 U x 620 mm
LAB/HPR 10300	10.000	0 – 300	0 – +/-35	19" x 6 U x 620 mm
LAB/HPR 10600	10.000	0 – 600	0 – +/-16	19" x 6 U x 620 mm
LAB/HPR 10800	10.000	0 – 800	0 – +/-13	19" x 6 U x 620 mm
LAB/HPR 101000	10.000	0 – 1.000	0 – +/-10	19" x 6 U x 620 mm
LAB/HPR 101200	10.000	0 – 1.200	0 – +/-8	19" x 6 U x 620 mm
LAB/HPR 101500	10.000	0 – 1.500	0 – +/-6	19" x 6 U x 620 mm
LAB/HPR 1560	15.000	0 – 60	0 – +/-250	19" x 6 U x 620 mm
LAB/HPR 15100	15.000	0 – 100	0 – +/-150	19" x 6 U x 620 mm
LAB/HPR 15150	15.000	0 – 150	0 – +/-100	19" x 6 U x 620 mm
LAB/HPR 15300	15.000	0 – 300	0 – +/-50	19" x 6 U x 620 mm
LAB/HPR 15600	15.000	0 – 600	0 – +/-25	19" x 6 U x 620 mm
LAB/HPR 15800	15.000	0 – 800	0 – +/-20	19" x 6 U x 620 mm
LAB/HPR 151000	15.000	0 – 1.000	0 – +/-15	19" x 6 U x 620 mm
LAB/HPR 151200	15.000	0 – 1.200	0 – +/-13	19" x 6 U x 620 mm
LAB/HPR 151500	15.000	0 – 1.500	0 – +/-10	19" x 6 U x 620 mm
LAB/HPR 2060	20.000	0 – 60	0 – +/-335	19" x 9 U x 620 mm
LAB/HPR 20100	20.000	0 – 100	0 – +/-200	19" x 9 U x 620 mm
LAB/HPR 20150	20.000	0 – 150	0 – +/-135	19" x 9 U x 620 mm
LAB/HPR 20300	20.000	0 – 300	0 – +/-70	19" x 9 U x 620 mm
LAB/HPR 20600	20.000	0 – 600	0 – +/-35	19" x 9 U x 620 mm
LAB/HPR 20800	20.000	0 – 800	0 – +/-25	19" x 9 U x 620 mm
LAB/HPR 201000	20.000	0 – 1.000	0 – +/-20	19" x 9 U x 620 mm
LAB/HPR 201200	20.000	0 – 1.200	0 – +/-17	19" x 9 U x 620 mm
LAB/HPR 201500	20.000	0 – 1.500	0 – +/-15	19" x 9 U x 620 mm
LAB/HPR 2560	25.000	0 – 60	0 – +/-420	19" x 9 U x 620 mm
LAB/HPR 25100	25.000	0 – 100	0 – +/-250	19" x 9 U x 620 mm
LAB/HPR 25150	25.000	0 – 150	0 – +/-170	19" x 9 U x 620 mm
LAB/HPR 25300	25.000	0 – 300	0 – +/-85	19" x 9 U x 620 mm
LAB/HPR 25600	25.000	0 – 600	0 – +/-45	19" x 9 U x 620 mm
LAB/HPR 25800	25.000	0 – 800	0 – +/-35	19" x 9 U x 620 mm
LAB/HPR 251000	25.000	0 – 1.000	0 – +/-25	19" x 9 U x 620 mm
LAB/HPR 251200	25.000	0 – 1.200	0 – +/-20	19" x 9 U x 620 mm
LAB/HPR 251500	25.000	0 – 1.500	0 – +/-15	19" x 9 U x 620 mm
LAB/HPR 3060	30.000	0 – 60	0 – +/-500	19" x 9 U x 620 mm
LAB/HPR 30100	30.000	0 – 100	0 – +/-300	19" x 9 U x 620 mm
LAB/HPR 30150	30.000	0 – 150	0 – +/-200	19" x 9 U x 620 mm
LAB/HPR 30300	30.000	0 – 300	0 – +/-100	19" x 9 U x 620 mm
LAB/HPR 30600	30.000	0 – 600	0 – +/-50	19" x 9 U x 620 mm
LAB/HPR 30800	30.000	0 – 800	0 – +/-40	19" x 9 U x 620 mm
LAB/HPR 301000	30.000	0 – 1.000	0 – +/-30	19" x 9 U x 620 mm
LAB/HPR 301200	30.000	0 – 1.200	0 – +/-25	19" x 9 U x 620 mm
LAB/HPR 301500	30.000	0 – 1.500	0 – +/-20	19" x 9 U x 620 mm



Tel: +34 91 569 8006

info@denver.es - www.denver.es